

The modular assembly system with infinite possibilities



**Hydraulic lifting  
column system  
from KANYA with  
hand crank or  
electric drive**



## Lifting column LH

### Application

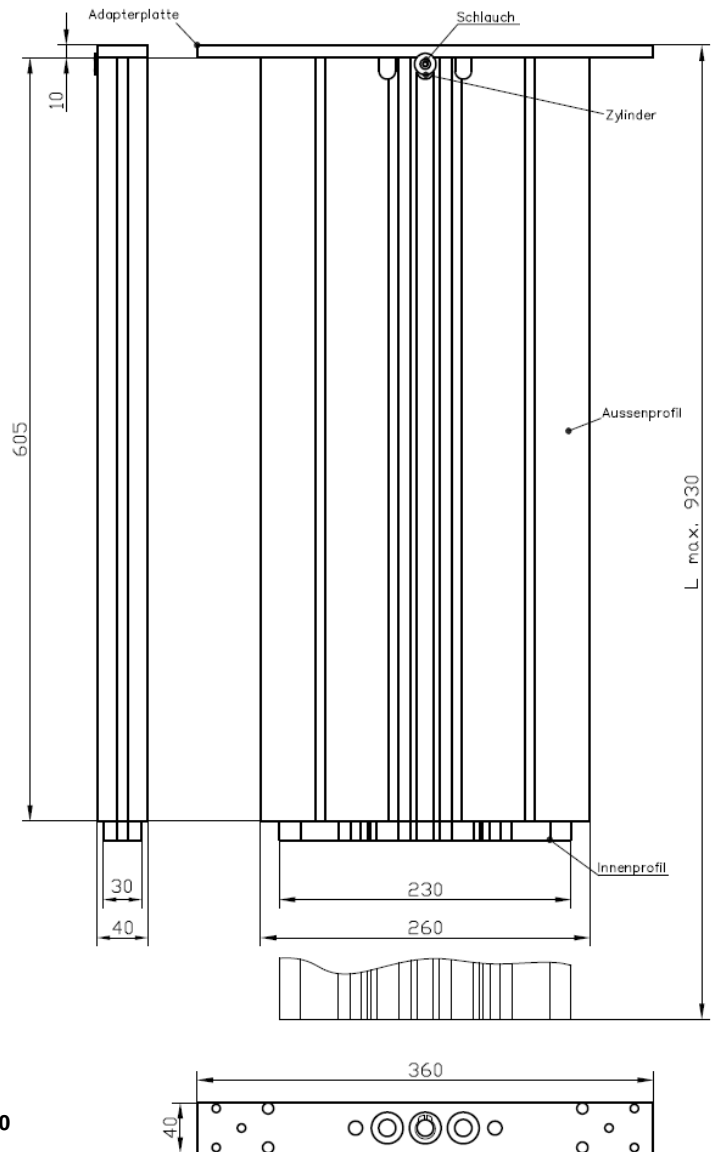
For height-adjustable tables or as a lifting system for equipment of all types. System load dependent on number of lifting columns as well as the hydraulic cylinders used in the lifting columns.

The lifting column (both outer and inner extrusion profile) has 8 mm grooves on which all KANYA extrusions can be very simply installed.



**Outer extrusion**  
40 x 260

**Inner extrusion**  
30 x 230



Adapter plate 40 x 360

### Technical data

Max. load capacity 1,500 N per lifting column (with one cylinder)

Retracted length 630 mm

Stroke up to 300 mm (extended length 930 mm)

Material: aluminium, natural matt anodised

Other lengths and extended range of accessories as well as additional cylinders per lifting column on request.

### Scope of delivery lifting column

completely assembled consisting of:

- 1 aluminium outer extrusion profile 40 x 260 mm
- 1 aluminium inner extrusion profile 30 x 230 mm
- 1 adapter plate aluminium
- 1 cylinder incl. hose (4 m)
- Set of fixing elements
- Installation manual

### Order data

Lifting column complete

### Order number

LH1-0

In addition:

Pump with hand crank

LH1-60

Pump with el. drive

LH1-61

Example:

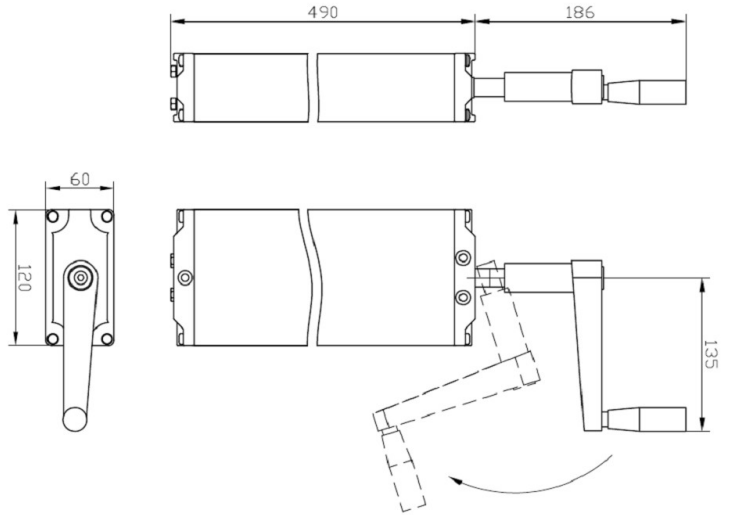
Order details for a table as per illustration on front page with electric drive

2 x lifting columns complete type LH1-0

1 x pump with el. drive type LH1-61

In addition, aluminium extrusion profile for cross members, table leaf and table foot (with castors or adjustable feet)

## Pump with crank handle



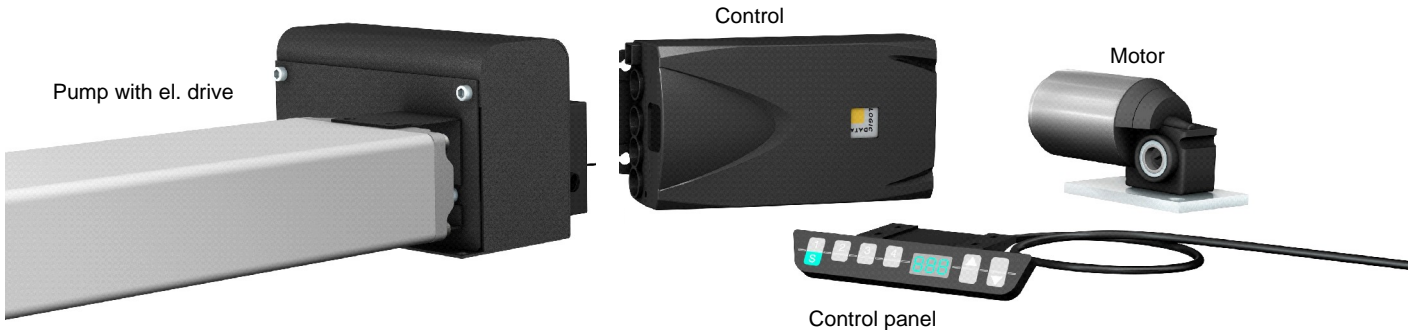
### Scope of delivery of pump with crank handle

- 1 pump
- 1 crank fitted
- Operating manual

Order data	Order number
------------	--------------

Pump with crank handle (foldable)	LH1-60
--------------------------------------	--------

## Pump with electric drive



### Scope of delivery pump with electr. drive

- 1 pump
- 1 motor
- 1 control with 4 memory spaces
- 1 control panel
- Set of cables
- Installation and operating manual

Order data	Order number
------------	--------------

Pump with electr. drive (only available fully installed)	LH1-61
---	--------

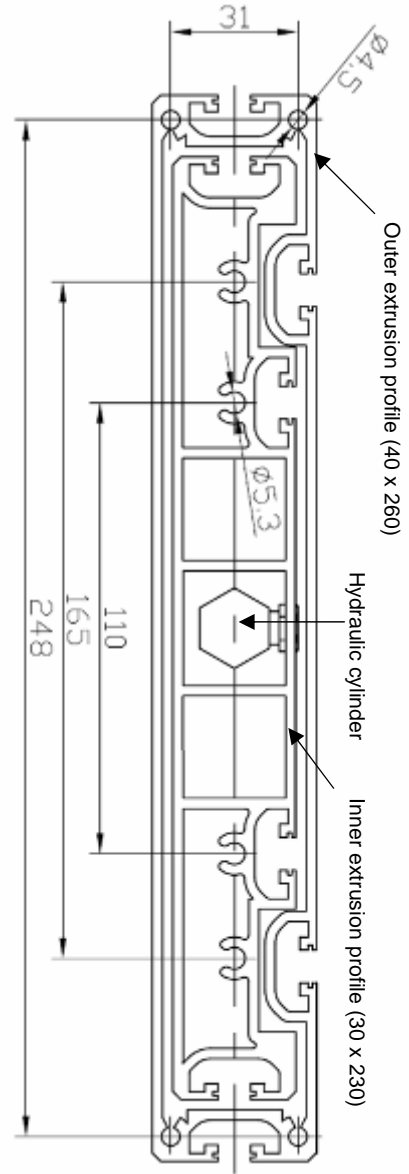
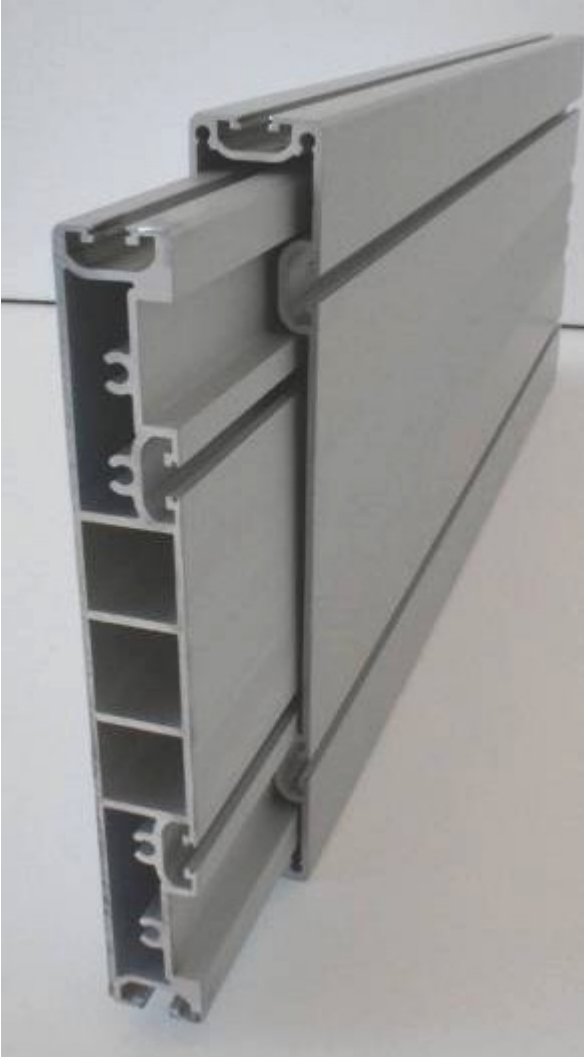
## Optional accessories

To produce a sturdy connection between 2 lifting columns, we recommend standard KANYA extrusion profiles with at least 2 connectors per side. Example: 40x80 Softline extrusion profile type C10-3-20-20/length (between the lifting columns) and with 4 connectors type C20-10.

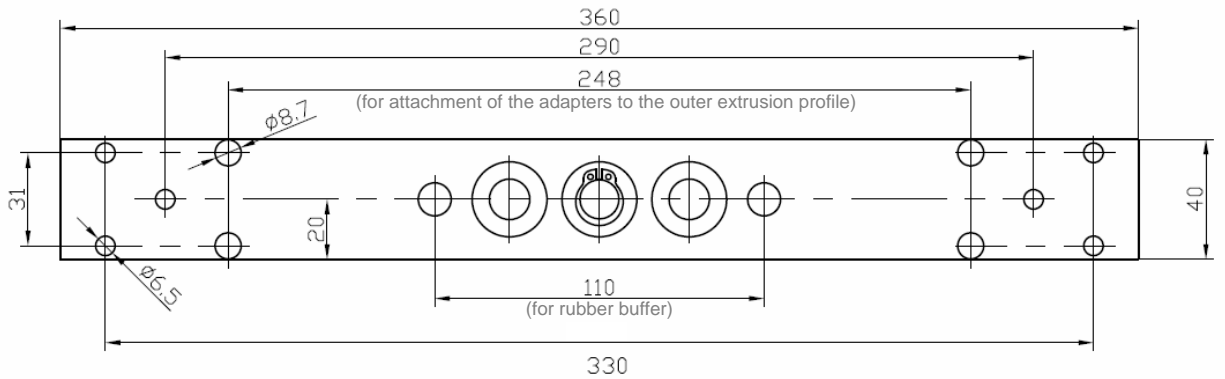
Foot profiles increase the stability of a table and enable contact with the floor, possibly with adjustable feet to enable compensation for uneven floors.

# Fixing details for aluminium extrusion profiles and adapter plate

## Outer and inner extrusion profiles



## Adapter plate



## Impressions

Lifting column with foot profile and castors



Control panel with control



Connection hose from cylinder to pump



Profile surface with ribs





**Maximum flexibility**

thanks to our multi-functional extrusion profile and pipe connection system. There are almost no limits to the areas of application

**Innovative system solutions**

based on more than 35 years of experience with countless implemented applications and expert customer support

**Short delivery periods**

thanks to our comprehensive stocks of extrusion profiles, tubes and accessories near you, we can ensure short delivery periods

**Maximum service and quality standards**

based on optimised processes, own development of IT systems and highly qualified employees

