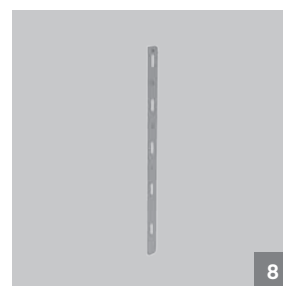
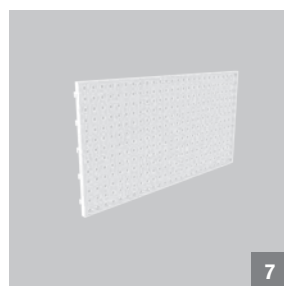
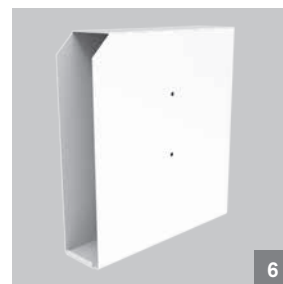
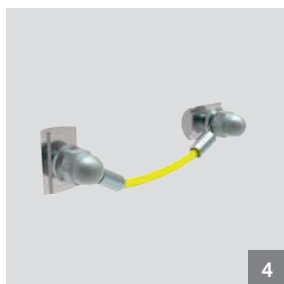
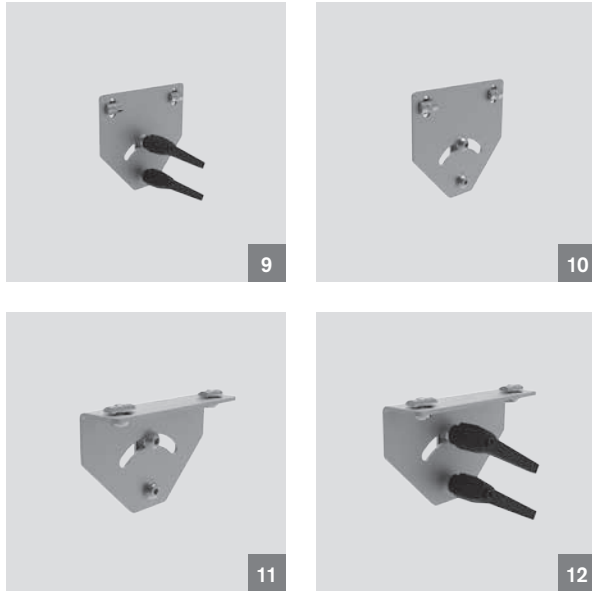


Additional elements



The workstation can be equipped with other KANYA elements according to specific requirements.



Technical data

	Order information	Order number
1	Cup holder, open base	A63-10
2	Cup holder, closed base	A63-11
3	Adjustable slides with snap hooks	A69-01
4	Cable bridge	C36-00
5	PC holder	N0875
6	File holder	N0876
7	Display wall (500mm x 970 mm, light grey)	N0848
8	Mounting plate on display board	S00-009-06
9	Swivel bracket flat handle	S00-009-02
10	Swivel bracket flat bolted	S00-009-03
11	Swivel bracket curved bolted	S00-009-04
12	Swivel bracket curved handle	S00-009-05